

# Bristol Acrylic Aluminum Smoke Vent Product Data Sheet

Mechanical Smoke Ventilation



# Application

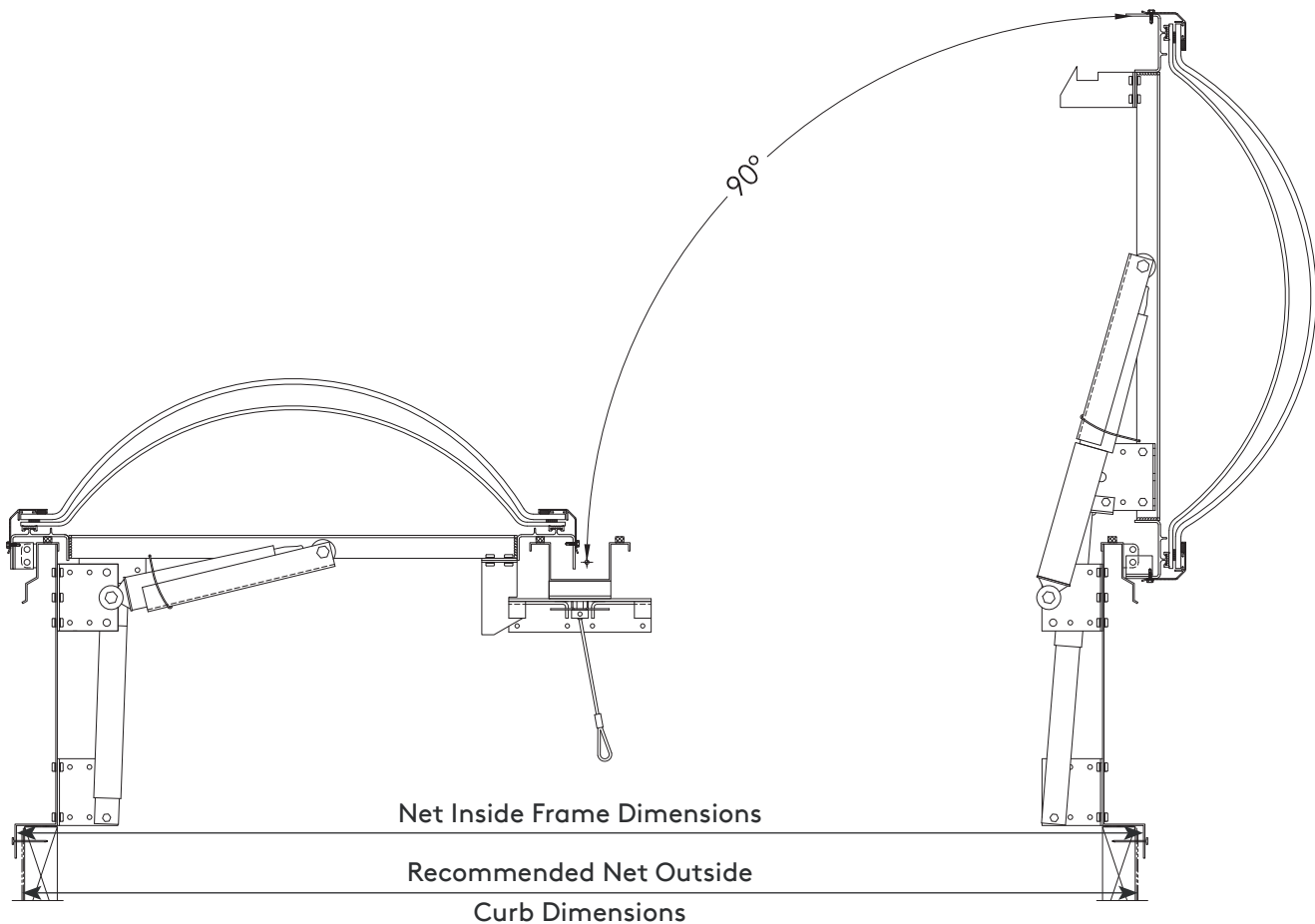
Bristol smoke vent shall be model No. SVAA as manufactured by Kingspan Light + Air, Santa Ana, CA. Smoke vent doors shall be glazed with acrylic material with a CC-2 classification. Curb frames shall be 11-gauge aluminum and shall be 13" high (12" to door hinge) with a 4" pre-drilled nailing flange. Curb shall have an integral fully welded corner cap flashing. Exterior curb frame insulation (when specified) shall be 1" rigid fiberboard. Double leaf doors are compression loaded by a torsion spring and secured on the opposite side with latches operated either manually, or by a single UL Listed fusible link and shall open and lock in a 90 degree open position. Door shall open against a 10psf, 20psf or 30psf uniform load and shall withstand a uniform 10psf load in the open and locked position. Doors shall be spring-actuated and equipped with heavy-duty shock absorbers to control speed of operation. Unit shall withstand a 40psf uniform static load in the closed position, and a 30psf uplift load. Both exterior and interior manual releases that do not affect the fusible link shall also be provided and shall automatically be reset by closing the smoke vent doors. All hardware shall be plated for corrosion resistance.

## Dimensions\*

Model Size	Net Outside Curb Dim's.	Net Inside Frame Dim's.	Model Size	Net Outside Curb Dim's.	Net Inside Frame Dim's.	Model Size	Net Outside Curb Dim's.	Net Inside Frame Dim's.
4848	51" x 51"	52-1/4" x 52-1/4"	4872	51" x 75"	52-1/4" x 76-1/4"	6072	63" x 75"	64-1/4" x 76-1/4"
6060	63" x 63"	64-1/4" x 64-1/4"	4896	51" x 99"	52-1/4" x 100-1/4"	6096	63" x 99"	64-1/4" x 100-1/4"

\*Call for additional sizes.

Note: Recommended net outside curb dimensions (OCD) to be 1-1/4" smaller than net frame inside dimensions (IFD).



# Technical Specifications

<b>International Building Code</b>	Meets requirements of IBC Standard 910
<b>NFPA Fire Rating</b>	CC2 Rated / Class A Plastic Performance
<b>OSHA</b>	Meets CFR load values when in the closed position
<b>Underwriters Laboratories (UL)</b>	Listed to UL 793 Standard

## Example Model Number

4896-SVAA-CM-1-WTM-M3-360-MF

## Features

1. Extruded 6063-T5 aluminum frame
2. Curb mounted (CM) or Self flashing (SF)
3. Monolithic acrylic glazing
4. 4" nailing flange (*self flashing models only*)
5. UL Listed santoprene thermoplastic gaskets
6. Black butyl retainer cap sealant
7. Polyurethane glazing sealants
8. Exterior and interior manual releases (M3)

## Smoke Vent Options

1. Single (1) or double (2) glazed
2. Standard glazing options:
  - a. Clear monolithic acrylic (CC)
  - b. White monolithic acrylic (WTM)
3. EPDM curb seal tape (T)
4. Fusible link temperature options:
  - a. 165°
  - b. 212°
  - c. 286°
  - d. 360°
  - e. 520°
5. Mill finish frame (MF), as standard (*Custom, or specialized paint available upon request*)

## Self Flashing Curb Options

1. 12" Curb height (12), as standard (*Custom heights available upon request*)
2. Insulated curb (INS)
3. Wood nailer (WN)
4. Non-welded double wall (DW)
5. Welded double wall (WDW)
6. Aluminum termination bar (TB)

## Accessories

1. Gladiator
  - a. Safety screens (SSCRN)
  - b. Security grills (SG)
  - c. Structural curbs (SC)
2. Quickkit (*Installation Kits*)
  - a. Stainless steel (QKSS)
  - b. Zinc plated (QKZP)

## Light Transmittance & Thermal Properties\*

Glazing Makeup	VLT	SHGC
Single Glazed - CC <i>Clear Acrylic</i>	95%	0.97
Single Glazed - WTM <i>Medium White Acrylic</i>	53%	0.68
Double Glazed - CC/CC <i>Clear Acrylic/Clear Acrylic</i>	92%	0.89
Double Glazed - WTM/CC <i>Medium White Acrylic/Clear Acrylic</i>	49%	0.63

\*Values may vary slightly depending on unit size and specification

## Warranty

For a period of ten (10) years from date of purchase, Kingspan Light + Air warrants that Bristol Acrylic smoke vents will be free of defects in material and workmanship and no uncontrolled water leakage through the commercial fixed curb mount or self flashed smoke vent. Exceptions do apply. Please see full 10-Year Warranty document for more details.



---

## Kingspan Light + Air

### North America - California Operation

401 East Goetz Avenue,  
Santa Ana, California 92707  
Toll Free: +1 (800) 854 8618  
T: +1 (714) 540 8950  
F: +1 (714) 540 5415  
E: [info@kingspanlightandair.us.com](mailto:info@kingspanlightandair.us.com)  
[www.kingspan.com/us](http://www.kingspan.com/us)

For the product offering in other markets please contact your local sales representative or visit [www.kingspan.com/us](http://www.kingspan.com/us)

#### Notes

All Kingspan Light + Air smoke vents are available with either zinc plated steel or architectural grade 6063-T5 aluminum frames. Frame types include, curb mount, self flashing (curb mount with an integral curb), or curb mount with a separate structural curb. All frames are designed with condensation gutters and allow for weepage. Frame options include: 1" polyisocyanurate insulation, double wall, wood nailer, louvers, rain guards, insect/bird screens and custom inside/outside curb, curb height and flange dimensions. All glazings are available in alternative dome shapes including; bubble, radial triarch, pyramid and double hip except Energy Star Fiberlite.

Performance information obtained by testing glazing materials, dome sets and smoke vents to NFRC, NAFS, ICC, AAMA, UL, FM, IES and ASTM standards by Kingspan Light + Air, material suppliers and independent third party laboratories. Contact factory for additional information regarding approvals, glazing material and dome shapes.

OSHA compliance and other test results are for specific outer dome thicknesses. Additional fall protection (safety screens, security grills, railings, tie-offs, etc) may be required when unit lids are in the open position.

For additional technical information and/or daylighting systems design consultation, contact Kingspan Light + Air for your specific needs. Care has been taken to ensure that the contents of this publication are accurate, but Kingspan Limited and its subsidiary companies do not accept responsibility for errors or for information that is found to be misleading. Suggestions for, or description of, the end use or application of products or methods of working are for information only and Kingspan Limited and its subsidiaries accept no liability in respect thereof.